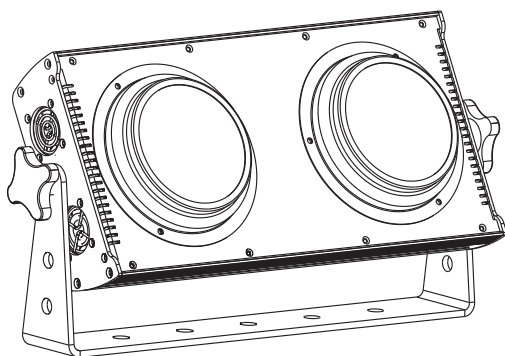




DIALighting COB Blinder 2x100W mkII



USER MANUAL



DMX
512





1. BEFORE YOU BEGIN

What is included

- 1 x Fixture
- 1 x Power cable with plug
- 1 x User Manual

Unpacking Instructions

Immediately upon receiving a fixture, carefully unpack the carton; check the contents to ensure that all parts are present, and have been received in good condition. Notify the shipper immediately and retain packing material for inspection if any parts appear damaged from shipping or the carton itself shows signs of mishandling. Save the carton and all packing materials. In the event that a fixture must be returned to the factory, it is important that the fixture be returned in the original factory box and packing.

AC POWER

This fixture has an auto-switching switch-mode power supply that can accommodate a wide range of input voltages. The only thing necessary to do before powering on the unit is to make sure the line voltage you are applying is within the range of accepted voltages. This fixture will accommodate between 100V and 240V AC 50-60 Hz. Each light is connected end to end by the power socket "POWER IN" and "POWER OUT" on the light, or use the waterproof power cord. Please ensure the head and the tail tightening when connect the lights, to prevent the power leakage occurred by water seepage to the plug.



Help preserve the environment! Ensure that this product is recycled at the end of its life. Your supplier can give details of local arrangements for the disposal of products.





Safety Instructions



WARNING!

Please read these instructions carefully, which includes important information about the installation, usage and maintenance of this product..

The following symbols are used to identify important safety information on the product and in this manual:



DANGER!
Safety hazard.
Risk of severe injury or death



DANGER!
Hazardous Voltage. Risk of lethal or severe electric shock.



WARNING!
Fire hazard



WARNING!
LED light emission. Risk of eye injury.



WARNING!
Refer to user

- This light belongs to grade I protection device, therefore the light must connect to the earth excellently. And the power connection must be operated by the professional technician.
- Make sure that the working voltage will not higher or lower than the rated value.
- Make sure that the cable didn't be damage or lacerated by sharp.
- The light must be power off when it's standing idle or before clearing.
- The cable must with plug, and you must pull out the cable by handle the plug.
- Please be careful when installing the lighting. Never touch the bared cable, or it will cause the deadly electric shock.
- Please use the suitable and safe cable to connect the light.
- Please never remodel the light randomly, we will not take the guarantee for the faulty and damage which caused by dismantle、repair or remodel of the nonprofessional person.
- Maximum ambient temperature 40°C. Do not operate fixture at temperatures higher than this.
- Never connect the device to a dimmer pack.





2.INTRODUCTION

Specifications

- Voltage Rating: AC100V~240V 50-60Hz
- Power Rating:200W
- LED Quantity: 2X100W 4-in-1COB LED(RGBW)
- LED: 600mA
- Beam Angle: 70°
- Ingress Protection: indoor
- Product Size: 432x133x220mm
- N/W:4.4Kg

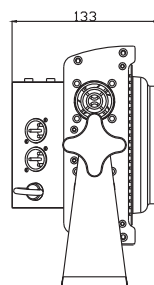
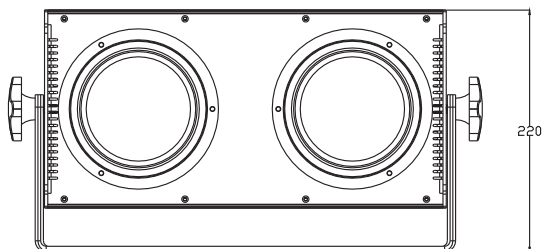
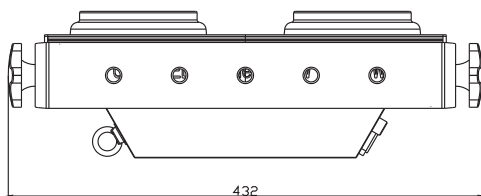
Features

- RGBW color mixing with or without DMX controller
- Operating Modes: DMX512 Connection /Master & Slave...
- Bright large diode COB LEDs for vibrant colors
- Individual pixel control for pixel mapping options
- DMX Channels: 4/6/10/8/10/14 channels
- COL: RGBW control
- COL.S: Dimmer,RGBW, strobe
- STAGE: Dimmer, RGBW,stroke, color macro, auto, auto speed, ID
- PIX: RGBW pixel control,
- PIX.S:Dimmer, RGBW pixel control,stroke
- STAGE-2:Dimmer,RGBW pixel control,stroke,color macro,auto, auto speed, ID





Product Overview

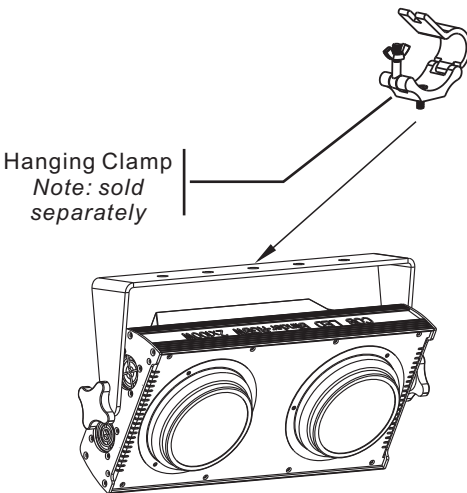




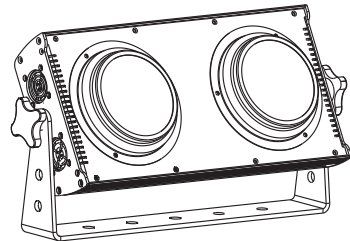
3.SETUP

Installation Requirement

- This product can be used in a variety of situations, can hang and put on the ground.
- If hanging the fixture for over head use, then please follow the below steps.
- Please choose the suitable location to put or hang the light when installing it. You must use the exclusive clamp hanger and screw when hanging it, and make sure the weight of the light is within limits of the hanger.
- Please make sure without any flammable objects within 0.5m when installing the light.
- The installation should be operated by professional person; any irregular installation will cause the body injury or equipment damage.
- Block access below the work area and use suitable and stable platform when installing or servicing fixture.



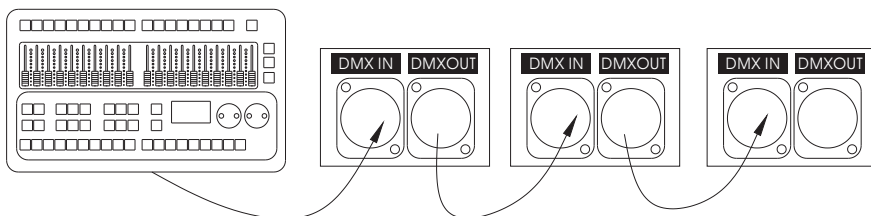
Safety Cable
Note: the cable must be secured through the heat sink ventilation passageway.





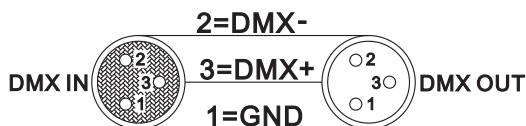
Connection of DMX Signal Wire

- 1 Please use the fixture controller wire specially when use the DMX512 Controller. Connect the (male) 3 pin connector side of the DMX cable to the output (female) 3 pin connector of the first fixture.
- 2 Connect the end of the cable coming from the first fixture which will have a (male) 3 pin connector to the input connector of the next fixture consisting of a (female) 3 pin connector. Then, proceed to connect from the output as stated above to the input of the following fixture and so on.
- 3 This product can be connected numerous lamps in series without the need for the signal amplifier; the signal will not be weakened.



3-PIN TO 5-PIN CONVERSION CHART

Note! If you use a controller with a 5 pin DMX output connector, you will need to use a 5 pin to 3 pin adapter.



3 PIN TO 5 PIN CONVERSION CHART

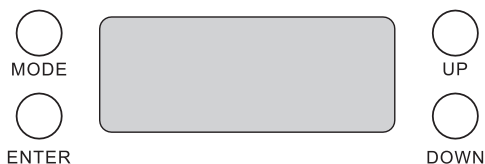
Conductor	3 Pin Female(output)	5 Pin Male (Input)
Ground/Shield	Pin 1	Pin 1
Data (-) signal	Pin2	Pin2
Data (+) signal	Pin 3	Pin 3
Do not use		Do not use
Do not use		Do not use





4. OPERATING INSTRUCTIONS

Control Panel Functions



In order to facilitate for inspection the signal, If the display to flicker when it's not receiving any signalNotes

BUTTON	FUNCTION
MODE	Exits from the current menu or function
UP	Navigates upwards through the menu list and increases the numeric value when in a function
DOWN	Navigates downwards through the menu list and decreases the numeric value when in a function
ENTER	Enables the currently displayed menu or sets the currently selected value in to the selected function





MAIN FUNCTION	SUB-FUNCTION		SELECTION	INSTRUCTION
DMX ADDRESS			001~512	Set DMX start address
CONTROL MODE	Stage		10CH	DMX 512 channel selection
	COL		4CH	
	COL.S		6CH	
	PIX		8	
	PIX.S		10	
	Stage 2		14	
STATIC COLOR	Dimmer		00~100	User can combine RED, GREEN, BLUE, WHITE to generate a custom color
	Red 1/Red 2		00~100	
	Green1/Green2		00~100	
	Blue 1/Blue 2		00~100	
	White 1/White 2		00~100	
	Strobe		No Function	Static colours
			ST(01-10)	Strobe
speed		0-20	Strobe speed	
AUTO	AUTO(01-10)		Speed(00-20)	10 AUTO programs and speed available
	Custom(01-10)			10 Custome programs available
PERSONALITY	ID Address		01-66	Assign ID address for fixtures
	ID Switch		ON~OFF	Enable or disable ID
	Dimmer Speed		Fast	Fast dimming with unrestricted speed
			Smooth	Smooth dimming with restricted speed
SCENE EDITOR	Custome (1~10)	Scene (1~30)	Dimmer	User can combine RED, GREEN, BLUE, WHITE to generate a custom color
			Red 1/Red 2	
			Green 1/Green 2	
			Blue 1/Blue 2	
			White 1/White 2	
			Strobe	0~20Hz)Select strobe frequency
			FADE	(0~255) step time
TIME	transition time of last step to current step			
INFO	Version		VXXX	CPU firmware version
	TEMP		XX °C	PCB temperature
FACTORY SET			LOAD	Return all settings to factory defaults





Master/Slave Control Mode

1、 Setting master machine

Access control panel function by pressing MODE until **【AUTO】** is displayed.
Press ENTER, select **【AUTO】** / **【Custome】** by pressing UP/DOWN buttons.
Press ENTER, and then press MODE to exit.

2、 Setting slave machine

Access control panel function by pressing MODE until **【DMXADDRESS】** is displayed.

DMX512 Controller Mode

1、 Setting DMX512 Address

【DMX ADDRESS】 -- **【001--512】**

Access control panel function by pressing MODE until **【DMXADDRESS】** is displayed.
Press ENTER, add or reduce channels by pressing UP/DOWN between 001 and 512.
Press MODE to exit.

3、 Setting Channels

【CONTROL MODE】 -- **【4/6/10/8/10/14 channels】**

Access control panel function by preksing MODE until **【CONTROL MODE】** is displayed.
Press ENTER button, select DMX channel by pressing UP/DOWN,
Press MODE to exit.





DMX512 Channel Values

4/6/10 channels:

COL	COL.S	Stage	Value	Description
	1、	1、	000 - 255	Dimmer (0-100%)
1、	2、	2、	000 - 255	Red(0-100%)
2、	3、	3、	000 - 255	Green(0-100%)
3、	4、	4、	000 - 255	Blue(0-100%)
4、	5、	5、	000 - 255	White(0-100%)
				Electronic shutter effect
			0 - 19	Shutter closed
			20 - 24	Shutter open
			25 - 64	Strobe 1 (fast --slow)
			65 - 69	Shutter open
			70 - 84	Strobe 2: opening pulse (fast--slow)
			85 - 89	Shutter open
			90 - 104	Strobe 3: closing pulse (fast--slow)
			105 - 109	Shutter open
			110 - 124	Strobe 4: random strobe (fast--slow)
			125 - 129	Shutter open
			130 - 144	Strobe 5: random opening pulse (fast -- slow)
	6、	6、	145 - 149	Shutter open
			150 - 164	Strobe 6:random closing pulse (fast-- slow)
			165 - 169	Shutter open
			170 - 184	Strobe 7: burst pulse (fast--slow)
			185 - 189	Shutter open
			190 - 204	Strobe 8: random burst pulse (fast--slow)
			205 - 209	Shutter open
			210 - 224	Strobe 9:sine wave (fast --slow)
			225 - 229	Shutter open
			230 - 244	Strobe 10: sine wave pulse(fast --slow)
			245 - 255	Shutter open
		7、	000~009	No Function
			010~255	Macro color control





COL	COL.S	Stage	Value	Description
			000~009	No Function
			010~019	AUTO1
			020~029	AUTO2
			030~039	AUTO3
			040~049	AUTO4
			050~059	AUTO5
			060~069	AUTO6
			070~079	AUTO7
			080~089	AUTO8
			090~099	AUTO9
			100~109	AUTO10
		8、	110~119	cust1 custom program 1
			120~129	Cust2 custom program 2
			130~139	Cust3 custom program 3
			140~149	Cust4 custom program 4
			150~159	Cust5 custom program 5
			160~169	Cust6 custom program 6
			170~179	Cust7 custom program 7
			180~189	Cust8 custom program 8
			190~199	Cust9 custom program 9
			200~225	Cust10 custom program 10
		9、	000~255	AUTO speed
		10、	000~255	ID address selection





ID ADDRESS SELECTION

VALUE	FUNCTION	VALUE	FUNCTION	VALUE	FUNCTION
000~009	All Ids	212	ID23	235	ID46
010~019	ID1	213	ID24	236	ID47
020~029	ID2	214	ID25	237	ID48
030~039	ID3	215	ID26	238	ID49
040~049	ID4	216	ID27	239	ID50
050~059	ID5	217	ID28	240	ID51
060~069	ID6	218	ID29	241	ID52
070~079	ID7	219	ID30	242	ID53
080~089	ID8	220	ID31	243	ID54
090~099	ID9	221	ID32	244	ID55
100~109	ID10	222	ID33	245	ID56
110~119	ID11	223	ID34	246	ID57
120~129	ID12	224	ID35	247	ID58
130~139	ID13	225	ID36	248	ID59
140~149	ID14	226	ID37	249	ID60
150~159	ID15	227	ID38	250	ID61
160~169	ID16	228	ID39	251	ID62
170~179	ID17	229	ID40	252	ID63
180~189	ID18	230	ID41	253	ID64
190~199	ID19	231	ID42	254	ID65
200~209	ID20	232	ID43	255	ID66
210	ID21	233	ID44		
211	ID22	234	ID45		





8/10/14 channels:

PIX	PIX.S	St-PIX	Value	Description
1、	1、	1、	000 - 255	Dimmer (0-100%)
2、	2、	2、	000 - 255	Red 1 (0-100%)
3、	3、	3、	000 - 255	Green 1 (0-100%)
4、	4、	4、	000 - 255	Blue 1 (0-100%)
5、	5、	5、	000 - 255	White 1 (0-100%)
6、	6、	6、	000 - 255	Red 2 (0-100%)
7、	7、	7、	000 - 255	Green 2 (0-100%)
8、	8、	8、	000 - 255	Blue 2 (0-100%)
	9、	9、	000 - 255	White 2 (0-100%)
	10、	10、		Electronic shutter effect
			0 - 19	Shutter closed
			20 - 24	Shutter open
			25 - 64	Strobe 1 (fast --slow)
			65 - 69	Shutter open
			70 - 84	Strobe 2: opening pulse (fast--slow)
			85 - 89	Shutter open
			90 - 104	Strobe 3: closing pulse (fast--slow)
			105 - 109	Shutter open
			110 - 124	Strobe 4: random strobe (fast--slow)
			125 - 129	Shutter open
			130 - 144	Strobe 5: random opening pulse (fast -- slow)
			145 - 149	Shutter open
			150 - 164	Strobe 6:random closing pulse (fast-- slow)
			165 - 169	Shutter open
			170 - 184	Strobe 7: burst pulse (fast--slow)
			185 - 189	Shutter open
			190 - 204	Strobe 8: random burst pulse (fast--slow)
			205 - 209	Shutter open
			210 - 224	Strobe 9:sine wave (fast --slow)
			225 - 229	Shutter open
			230 - 244	Strobe 10: sine wave pulse(fast --slow)
			245 - 255	Shutter open
		11、	000~009	No Function
			010~255	Macro color control
		12、	000~009	No Function
			010~089	AUTO 01-10
			090~255	custom program 01-10
		13、	000~255	AUTO speed
		14、	000~255	ID address selection





ID Address Instructions

1. Setting ID address

1. Access control panel function by pressing MODE until **【ID】** is displayed.
2. Press ENTER, increase or reduce ID values by pressing UP/DOWN between 01 and 66.
3. Press MODE to exit.

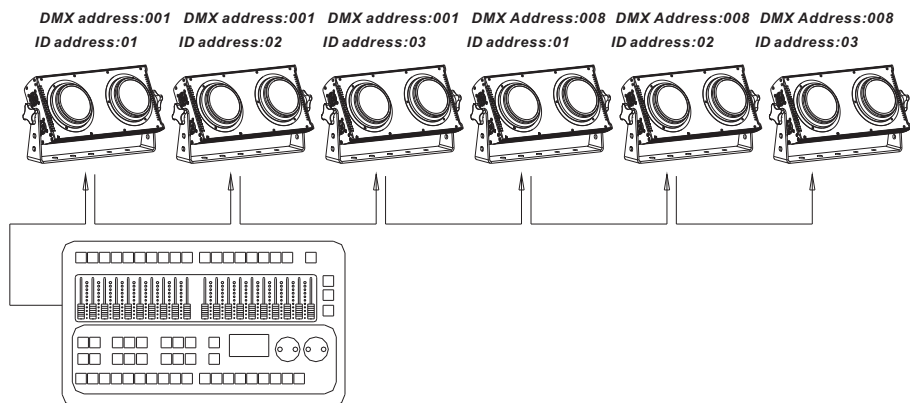
2. Enable or disable ID

【PERSONALITY】 -- 【ID SWITCH】 -- 【ON-OFF】

1. Access control panel function by pressing MODE until **【PERSONALITY】** is displayed.
2. Press ENTER, select by pressing UP/DOWN until is **【ID SWITCH】** displayed.
3. Press ENTER, turn on or off ID addressing by pressing UP/DOWN buttons.
4. Press MODE to exit.

For every DMX512 address the user can set 66 separate ID addresses. ID addressing is a secondary function in DMX512 mode. In DMX512 Controller Mode, the user can simultaneously control the individual DMX address of all lights, and can control the lights which have separate ID address in independent DMX512.





Select **10** channel on fixture's control panel (Please refer to DMX512 Channels Selection). The figure above shows a simple DMX layout which has used three units at each DMX address. The three units have different ID addresses. In the DMX address: 001, the user can control the first three lights simultaneously. When using channel 10 select the channel number is 020-029 and ID Address=02, the controller can control the second light individually. When using channel 10 select the channel number is 000-010 and ID Address=00, all the lights are in common use at the same DMX address.

